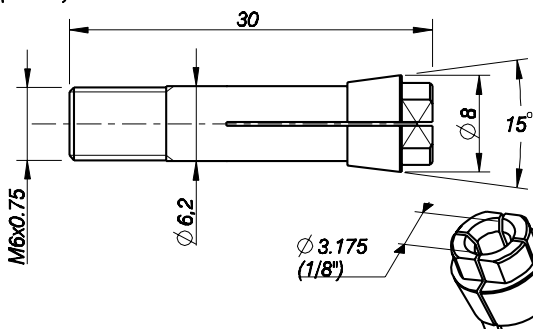


PCB Spindle Collets

Cross Reference: **17509**
(2938) 22512

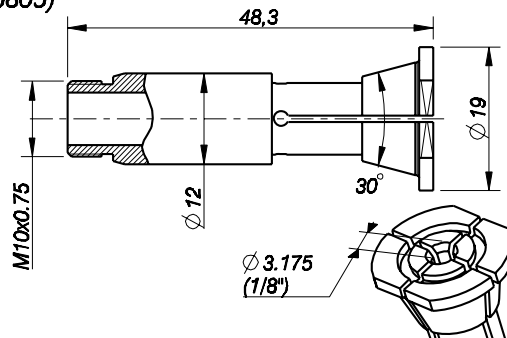


Spindle Manuf. & application

Pluritec
PRT 100/35

User:
Pluritec

Cross Reference: **30674**
(16805)

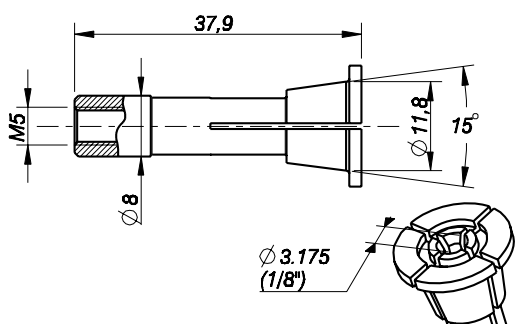


Spindle Manuf. & application

Pluritec

User:
Pluritec

Cross Reference: **30675**
(5734)

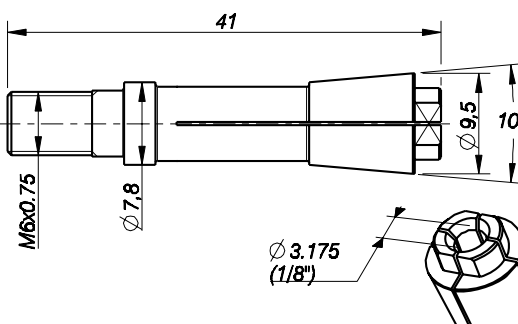


Spindle Manuf. & application

Pluritec
PRT 100/35

User:
Pluritec

Cross Reference: **30676**
(14066)

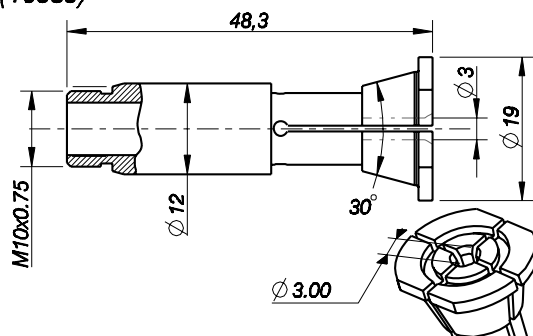


Spindle Manuf. & application

Pluritec
PRT 210
Westwind
D1201

User:
Pluritec

Cross Reference: **30677**
(16585)

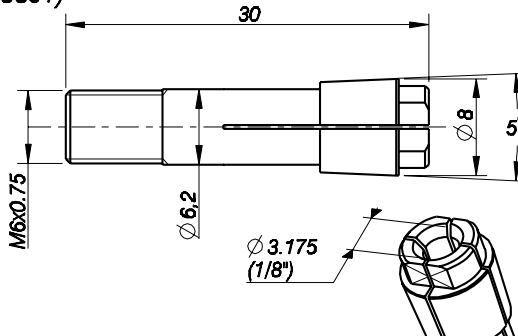


Spindle Manuf. & application

Pluritec

User:
Pluritec

Cross Reference: **30679**
(5301)

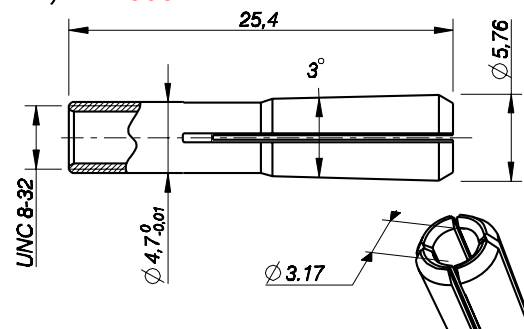


Spindle Manuf. & application

Pluritec

User:
Pluritec

Cross Reference: **202163-13**
(CM5) **CD1000**

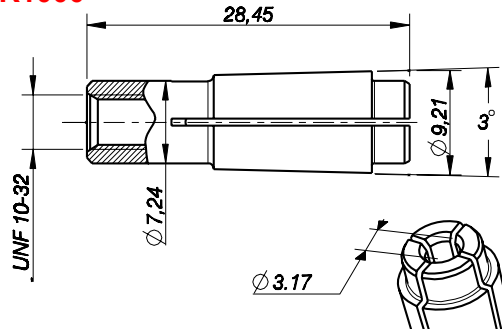


Spindle Manuf. & application

Excellon
QD 1010
Drilling
1000, 2000
Jevco SP1000

User:
Excellon

Cross Reference: **212938-16**
CR1000



Spindle Manuf. & application

Excellon
QD 420/820
Drilling/Routing
QD 880
480, 800
Jevco
SP1020,
SP1090,
SP1100

User:
Excellon

PCB Spindle Collets

Cross Reference: 37462
(40374) (MCT 150 2315) **CD1160 CD2040**

Spindle Manuf. & application
Westwind
 D1331
 30-32-41-42-44
 D1531-08
 D1686
 10-11-12-15-19-23
D1473-08
Jevco
SP1040

User:
Various

Cross Reference: 414741-01
(41844) **CD1130**

Spindle Manuf. & application
Westwind
 D1199 6-10
 D1473-07
ABW125
ABW170
Jevco
SP1110

User:
Excellon

Cross Reference: 15034
(213018-17) **CD1030 CD1140**

Spindle Manuf. & application
Westwind
 D1201-07
ABW100
ABW110
Jevco
SP1050

User:
Excellon/ESI

Cross Reference: 216824-14
(17809) **CD1080**

Spindle Manuf. & application
Westwind
 D1199 3-4-5
 D1473 01-05
Excellon
ABW110
100,125
Mechatronic
 SM170S PX170S
Jevco
 SP1040 SP1050
 SP1060 SP1110

User:
Excellon

Cross Reference: 17593
CD1080

Spindle Manuf. & application
Westwind
 D1201
 02,06,20,21,33
 D1263
 03,04,06,07,09
 D1331
 01,02,03,07,08,09
 10,13,17,19,20
 21,24,27,28,38
 D1404-01
 D1502-01
 D1531 -06-09
 D1686
 01,02,03,04
Jevco

User:
Various

Cross Reference: 16703
CR1070

Spindle Manuf. & application
Westwind
 D1170-04
 D1303-01-02
 D1524-
 01-02-03-04-05
 M320-46-50
 -62-63-64
 -65-66

User:
Various

Cross Reference: 39773
CR2040

Spindle Manuf. & application
Westwind
 M320-64 C

User:
Pluritec

Cross Reference: 16194
(17499) **CR1030**

Spindle Manuf. & application
Westwind
 M320
 -38-43-55 -32-33

User:
Pluritec
Wessel
Dynamot.

TECNOPINZ SA

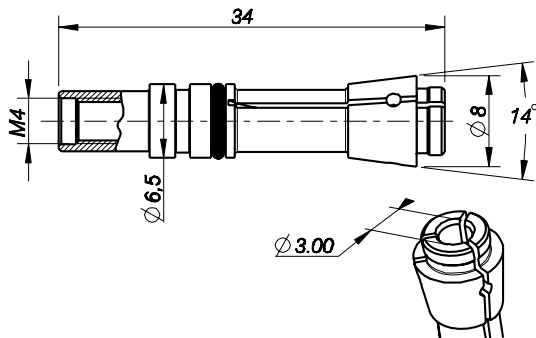


ООО "РТС Инжиниринг" тел.: +7(495) 964-47-48 www.rts-engineering.ru
 Москва, Атарбекова, д.4 факс: +7(495) 964-47-39 main@rts-engineering.ru

PCB Spindle Collets

Page 3/7
- Rev. 4.0

Cross Reference: **153530**

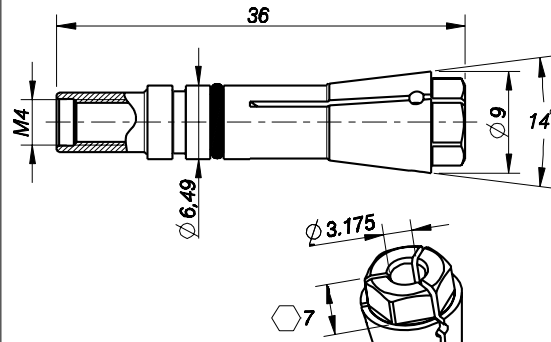


Spindle Manuf. & application

Precise
- SC53 H

User:
Various

Cross Reference: **SC-63-NEW**

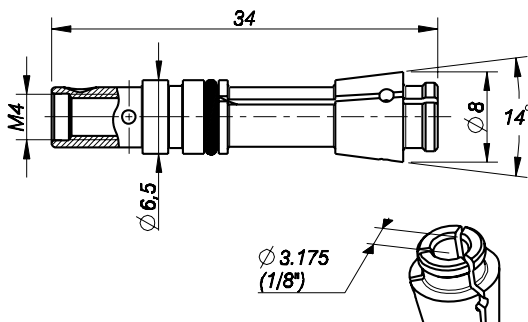


Spindle Manuf. & application

Precise
- SC53 / 63

User:
Various

Cross Reference: **033503**
(153503) **CD1020**

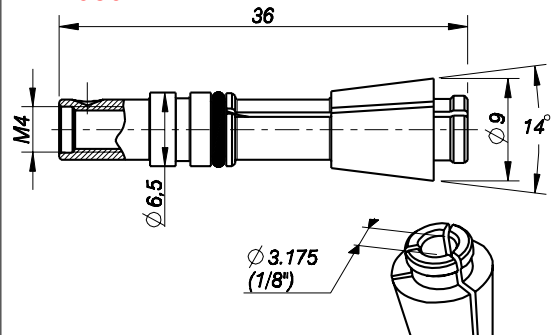


Spindle Manuf. & application

Precise
- SC 53 H
- ASC33
- ASC2063

User:
Various

Cross Reference: **053533**
CR2050

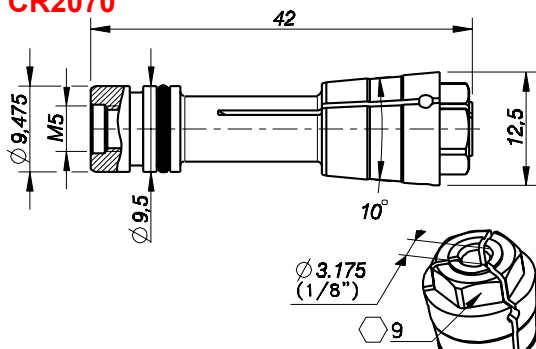


Spindle Manuf. & application

Precise
- SC 53
- SC 63
- SC 2063

User:
Various

Cross Reference: **263504**
CR2070

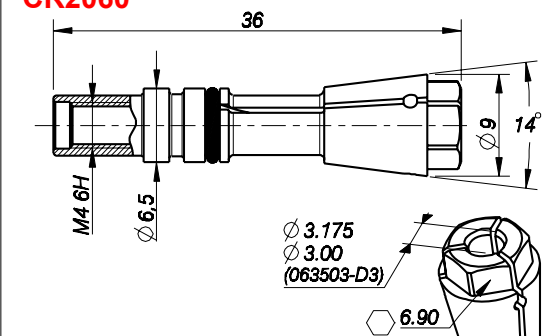


Spindle Manuf. & application

Precise
- SC 3163

User:
Various

Cross Reference: **063503**
CR2060

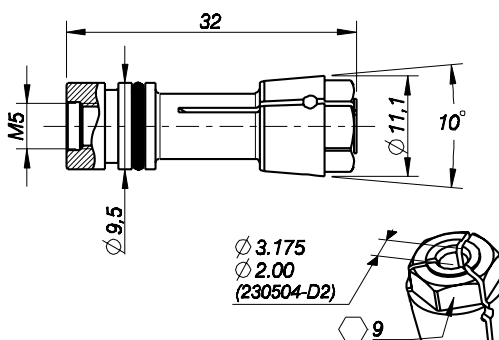


Spindle Manuf. & application

Precise
- SC 53
- SC 63
- SC 2063

User:
Various

Cross Reference: **230504**

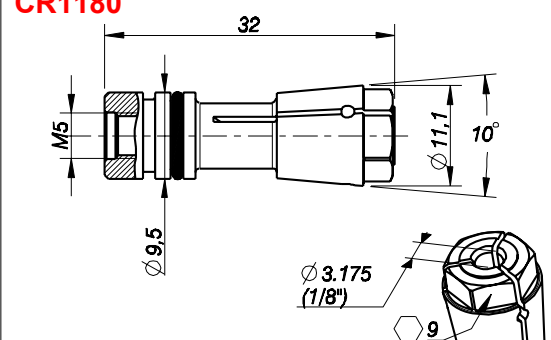


Spindle Manuf. & application

Precise
-

User:
Various,
Hitachi

Cross Reference: **230505**
CR1180



Spindle Manuf. & application

Precise
W-69

User:
Various,
Hitachi

TECNO PINZ SA

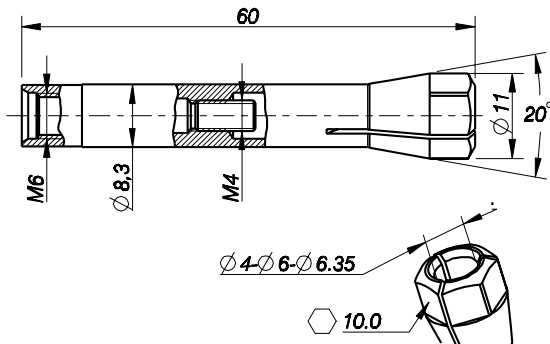


ООО "РТС Инжиниринг" тел.: +7(495) 964-47-48 www.rts-engineering.ru
 Москва, Атарбекова, д.4 факс: +7(495) 964-47-39 main@rts-engineering.ru

PCB Spindle Collets

Page 4/7
- Rev. 4.0

Cross Reference: **1.000.8442**

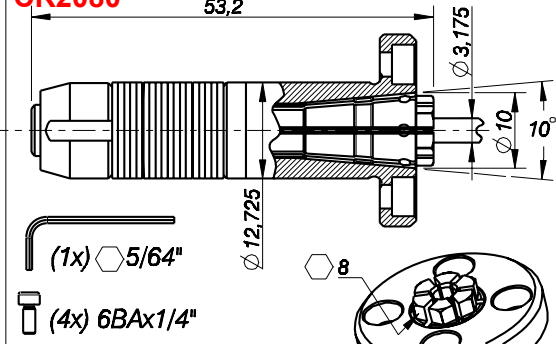


Spindle Manuf. & application

KaVo

User: -

Cross Reference: **11257**
CR2080

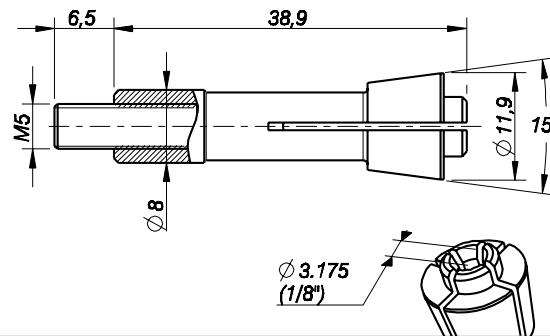


Spindle Manuf. & application

Westwind
D1519-01
M320-01,03,05,07,10
11,16,17,18,19
20,22,23,27,28
29,30,36,47,52

User: Various

Cross Reference: **77122**

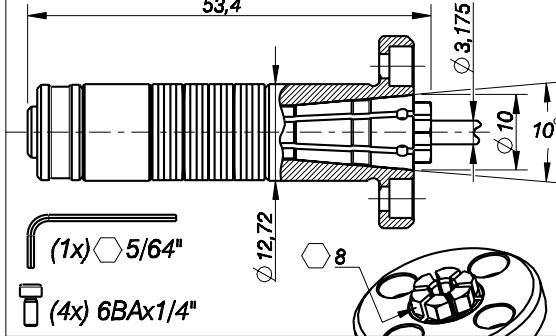


Spindle Manuf. & application

Pluritec
-Contura

User: -

Cross Reference: **08085A1**

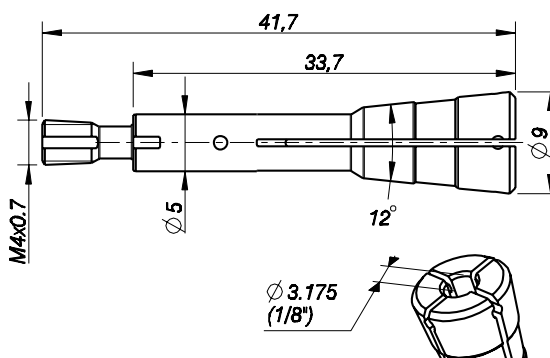


Spindle Manuf. & application

Westwind
M320-24

User: Posalux

Cross Reference: **138506**

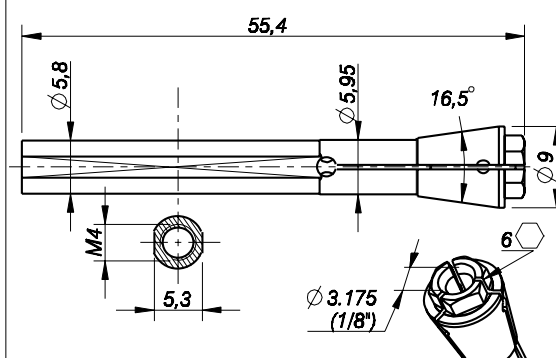


Spindle Manuf. & application

Precise
-ASC200

User: -

Cross Reference: **WEOA-I**

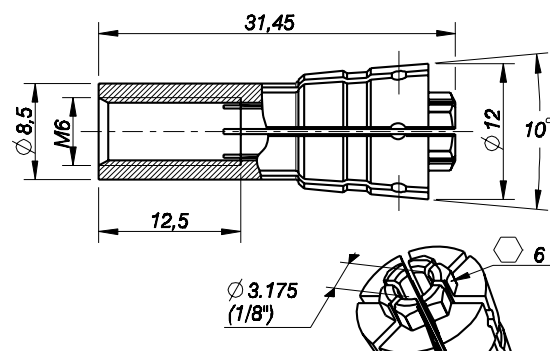


Spindle Manuf. & application

WEOA-I

User: -

Cross Reference: **TSH**

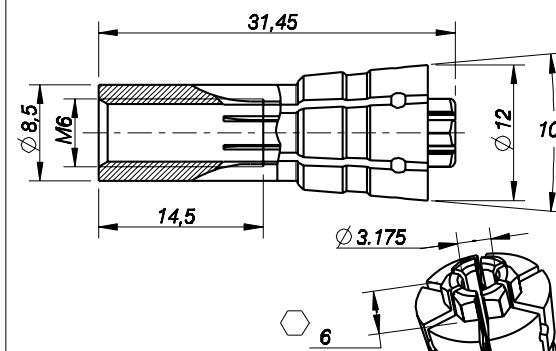


Spindle Manuf. & application

- **Toshiba**

User: -

Cross Reference: **TSH-A**



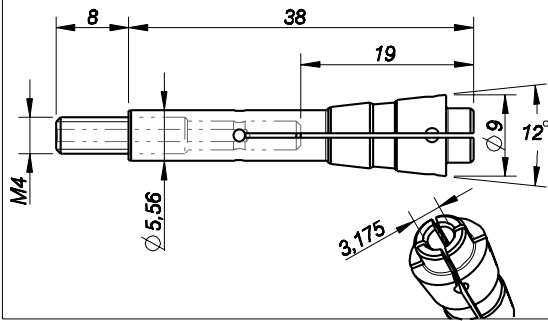
Spindle Manuf. & application

- **Toshiba**

User: -

PCB Spindle Collets

Cross Reference: **127480**
(CD1150)

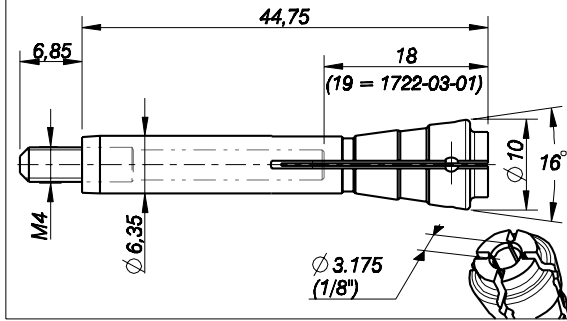


Spindle Manuf. & application

ABL
-AW125G/08
-H912
-H912B
-AW125E/04

User:
-

Cross Reference: **1722-03**
(151480- H516) (47416)

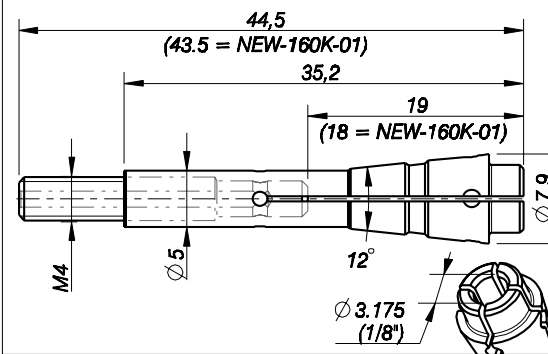


Spindle Manuf. & application

Westwind
-D1264-07
-D1748
-D1769-03
-D1722-03
-D1600-01

User:
-Tong Tai
-Hitachi

Cross Reference: **NEW-160K** (H916)

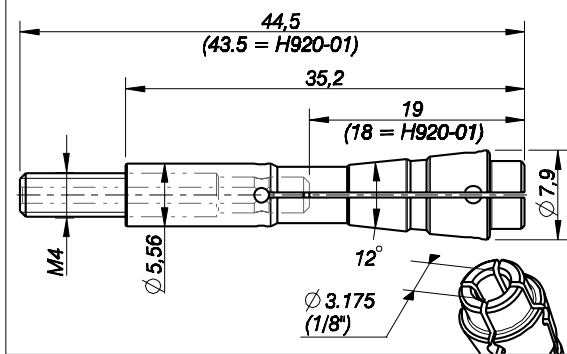


Spindle Manuf. & application

Hitachi
-H916B

User:
-Hitachi
-YewonTech

Cross Reference: **H920**

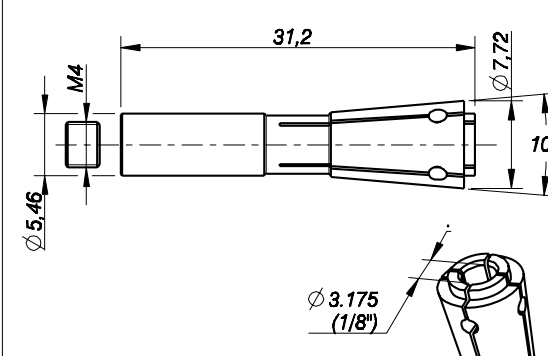


Spindle Manuf. & application

ABL
-H920

User:
-Hitachi

Cross Reference: **P16A001**

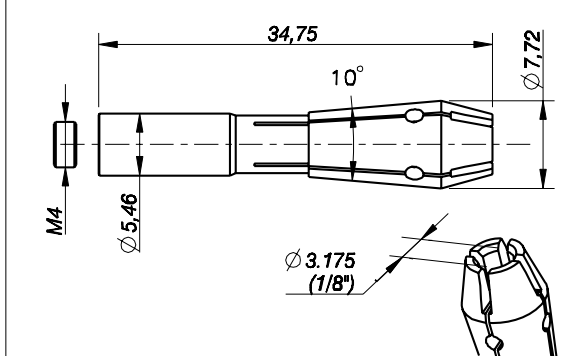


Spindle Manuf. & application

Machswiss
Mach 160

User:
-

Cross Reference: **P16A002**

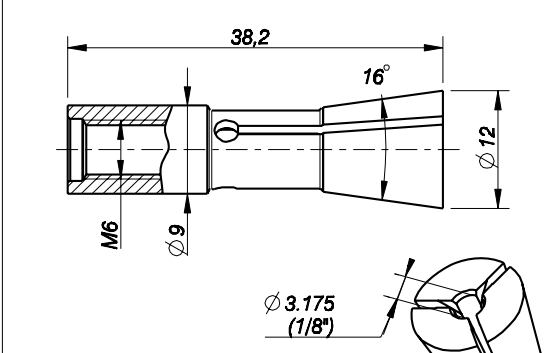


Spindle Manuf. & application

Machswiss
Mach 125

User:
-

Cross Reference: **RKRK-E**

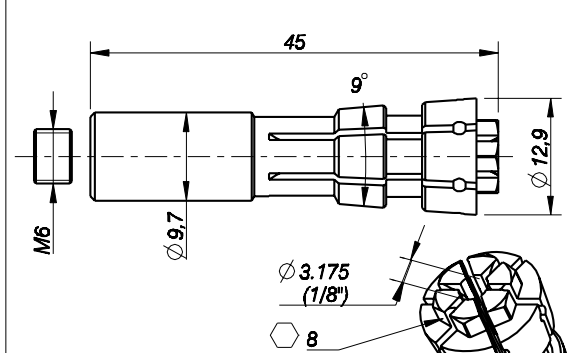


Spindle Manuf. & application

Roku-Roku

User:
-

Cross Reference: **RKRK-F**



Spindle Manuf. & application

Roku-Roku

User:
-

TECNO PINZ SA



ООО "РТС Инжиниринг" тел.: +7(495) 964-47-48 www.rts-engineering.ru
 Москва, Атарбекова, д.4 факс: +7(495) 964-47-39 main@rts-engineering.ru

PCB Spindle Collets

Page 6/7
- Rev. 4.0

Cross Reference: RKRK-G

Spindle Manuf. & application
Roku-Roku

User:

Cross Reference: 062K-014
(WA8B26-7ZTU)

Spindle Manuf. & application
NSK
WA8B26-TZTU

User:
Hitachi

Cross Reference: 1331-47
(41928)

Spindle Manuf. & application
Westwind
1331-47

User:
Takisawa

Cross Reference: 152480
(HR-08A)

Spindle Manuf. & application
Hitachi
- Router

User:
ABL

Cross Reference: 216844-10
(17508) **CR1080**

Spindle Manuf. & application
Westwind
D1251-03
Excellon
ABWR80

User:
Excellon

Cross Reference: 34381
CD2010

Spindle Manuf. & application
Westwind
D1331-26
29,31

User:
Posalux

Cross Reference: 38730
CD1170

Spindle Manuf. & application
Westwind
D1331-36

User:
Posalux

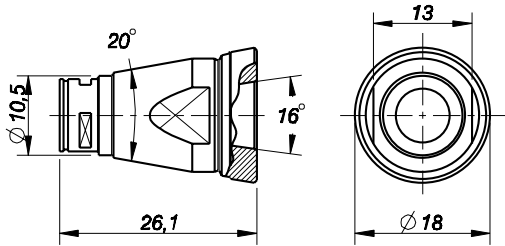
Cross Reference: 9873 (10792)

Spindle Manuf. & application
Westwind
1080-08-09

User:
-Hitachi
-RokuRoku

PCB Spindle Collets

Cross Reference: **CH-SC35**
(for collet 7010)

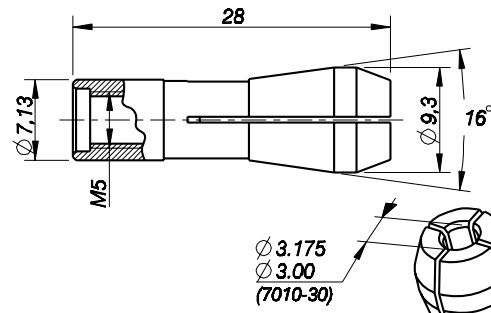


Spindle Manuf. & application

Precise
-SC52

User:
-Posalux
-Schmoll

Cross Reference: **7010**
(for holder CH-SC35)

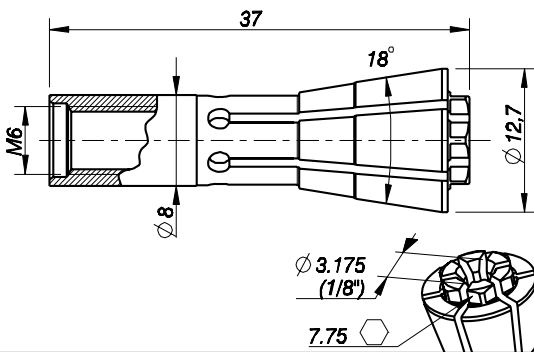


Spindle Manuf. & application

Precise
-SC52

User:
-Posalux
-Schmoll

Cross Reference: **SAM-D3175**

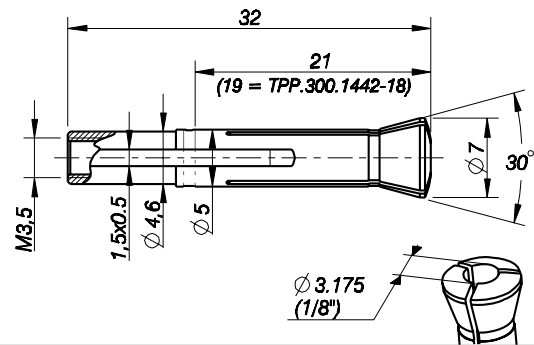


Spindle Manuf. & application

Hitachi
Viamechanics
Tool transfer

User:
-

Cross Reference: **TPP.300.1442**

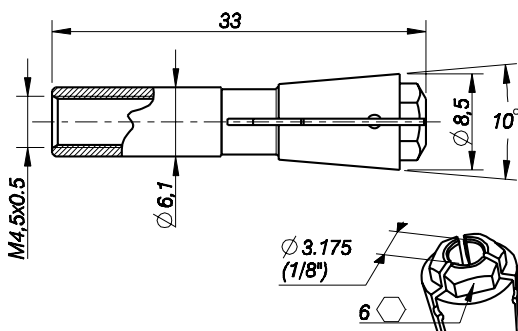


Spindle Manuf. & application

KaVo
-4025

User:
-

Cross Reference: **TPF-2015HF**

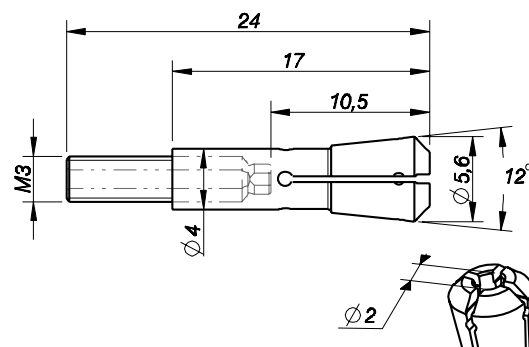


Spindle Manuf. & application

Toshiba
-Tungaloy

User:
Roku-Roku

Cross Reference: **H930**

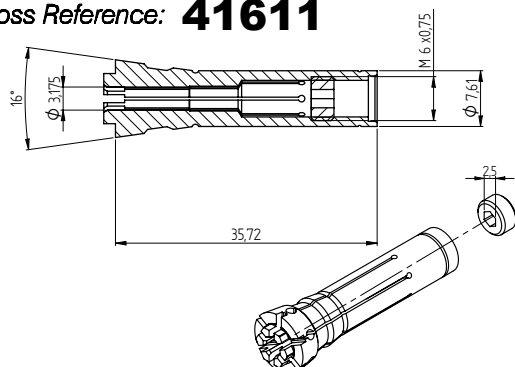


Spindle Manuf. & application

Hitachi
-30D

User:
-

Cross Reference: **41611**



Spindle Manuf. & application

Westwind
D1331-
48,49,51

User:
-

Cross Reference: -

Spindle Manuf. & application

-
-

User:
-